


PRODUCT SHEET

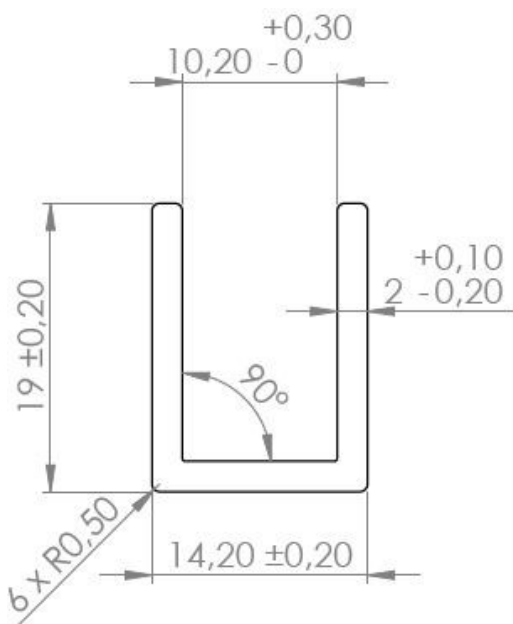
Description:

Alu. U-Channel, F/10mm Glass, Polished Brass, 3,0 Mtr, 2,05x 19x14,3mm(T/H/W)

Item number:

15.26.513-8

Units	Box	Carton	HS Code	Barcode
Pcs.			7604299090	 5704866521031



SISO A/S

Mileparken 11
DK-2740 Skovlunde
Denmark
VAT: 24786013

Phone +45 45 830 900

www.siso.dk
siso@siso.dk

Danske Bank
Nytorv Branch
Copenhagen
SWIFT: DABADKKK

Account no.
4180 3112 112936
IBAN Account
DK7230003112112936